

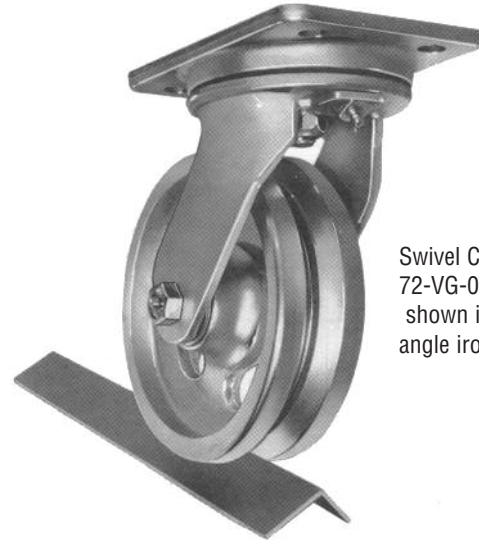
Designed for use on inverted angle track for any service requiring guidance of the truck or conveyor unit. Suggested uses include movement of production jigs or fixtures in straight line assembly, travel in and out of "blind alley" retorts or ovens, and in assembly or processing operations where rivets, bolts or other wheel stopping hazards might impede normal movement.

V-GROOVE CASTER FEATURES

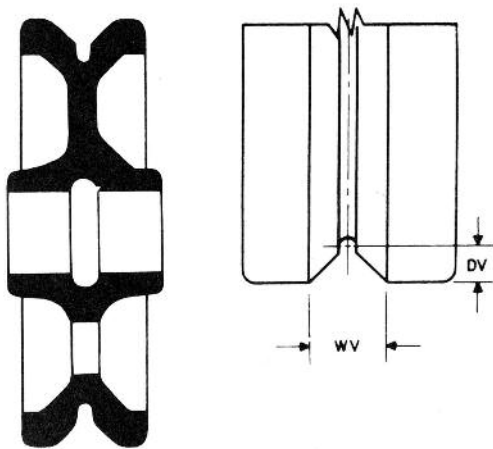
- Complete flexibility either on the floor or track
- Wheel face and "V" groove fully machined
- Wheel Bearings - straight roller, with hardened and precision ground spanner bushing inner race for medium to heavy duty service. Tapered roller bearings for heavier duty or more rugged applications.
- Lubrication - full pressure type to all bearings.
- Finish - Rigs thru Series 90 are plated. Series 94 and 95 rigs and all wheels are finished in aluminum enamel.

OPTIONAL FEATURES AVAILABLE:

See appropriate caster series



Swivel Caster Model
72-VG-062001-S
shown in position on
angle iron track

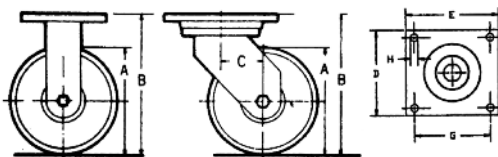


NYLACRON™ Wheels Available



95-VH-10709-R rigid caster
with 10 x 4 V-Groove wheel
15,000 pound rating

Caster Height and Top Plate Mounting Dimensions



V-GROOVE CASTER SPECIFICATIONS with CAST IRON WHEELS

Dia. (mm)	Width (mm)	Cap. (R Brg)	Cap. (T Brg)	OAH (mm)	Hub Length	Swivel Lead	Bolt Hole Centers	Top Plate	Wt. (kg)	Part Number Roller Brg	Part Number Tapered Brg
4	1-3/4	800	-	5-5/8	2-3/16	1-7/16	2-5/8 x 3-5/8	4 x 4-1/2	7-1/2	16-VG-R-04201	-
4	1-3/4	800	-	5-5/8	2-3/16	1-5/16	3-3/8 x 5-1/4	4-1/2 x 6-1/4	9-1/4	62-VG-R-04201	-
4	1-3/4	800	-	5-5/8	2-3/16	1-7/16	2-5/8 x 3-5/8	4-1/2 x 6-1/4	9	71-VG-R-04201	-
4	1-3/4	800	-	5-5/8	2-3/16	1-7/16	2-7/16 x 4-15/16	S= 4-1/2 x 6-1/4	10-1/2	72-VG-R-04201	-
5	2	800	-	6-1/2	2-3/16	1-5/8	2-5/8 x 3-5/8	4 x 4-1/2	8-1/2	16-VG-R-05201	-
5	2	800	-	6-1/2	2-3/16	1-1/2	3-3/8 x 5-1/4	4-1/2 x 6-1/4	10-1/4	62-VG-R-05201	-
5	2	800	-	6-1/2	2-3/16	1-13/16	2-5/8 x 3-5/8	4-1/2 x 6-1/4	10	71-VG-R-05201	-
5	2	800	-	6-1/2	2-3/16	1-13/16	2-7/16 x 4-15/16	R= 4 x 6	11-1/2	72-VG-R-05201	-
6	2	900	-	7-1/4	2-3/16	1-3/4	2-5/8 x 3-5/8	4 x 4-1/2	11-3/4	16-VG-R-06201	-
6	2	1000	-	7-1/2	2-3/16	1-3/4	2-7/16 x 4-15/16	4-1/2 x 6-1/4	13-1/2	62-VG-R-06201	-
6	2	1000	-	7-1/2	2-3/16	2-1/4	2-5/8 x 3-5/8	4 x 5	13-1/4	71-VG-R-06201	-
6	2	1000	-	7-1/2	2-3/16	2-1/4	2-5/8 x 4-7/8	R= 4 x 6	14-3/4	72-VG-R-06201	-
6	2-1/2	2000	2000	7-5/8	3-1/4	1-1/2	3-3/8 x 5-1/4	4-1/2 x 6-1/4	21-3/4	81-VG-R-06401	81-VG-R-06409
6	2-1/2	2500	2500	8	3-1/4	2-1/4	3-3/8 x 5-1/4	S= 5-1/4 x 7-1/4	26-1/4	90-VG-R-06401	90-VG-R-06409
8	2-1/2	2000	2000	10-1/8	3-1/4	2-1/4	3-3/8 x 5-1/4	4-1/2 x 6-1/4	26-1/4	81-VG-R-08401	81-VG-R-08409
8	3	2500	2500	10-1/2	3-1/4	2-1/2	3-3/8 x 5-1/4	S= 5-1/4 x 7-1/4	31-3/4	90-VG-R-08401	90-VG-R-08409
8	3	4000	4000	10-1/2	3-1/4	2-1/2	4-1/2 x 6	S= 6-1/2 x 7-1/2	42-3/4	94-VG-R-08501	90-VG-R-08509
10	3	3000	3500	12-1/2	3-1/4	2-1/2	3-3/8 x 5-1/4	R= 5 x 7-1/4	42-1/2	90-VG-R-10501	90-VG-R-10509
10	3	3000	3500	12-1/2	3-1/4	2-1/2	3-3/8 x 5-1/4	R= 5 x 7-1/4	42-1/2	90-VG-R-10501	90-VG-R-10509
10	3	4000	4000	12-1/2	3-1/4	2-1/2	4-1/2 x 6	R= 6 x 7-1/2			
10	3	4000	4000	12-1/2	3-1/4	2-1/2	4-1/2 x 6	S= 6-1/2 x 7-1/2	53-1/2	94-VG-R-10501	90-VG-R-10509
								R= 6 x 7-1/2			

*Add "B" for Ball Bearing, "P" for Precision Bearing, "PL" for Plain Bearing, "R" for Roller Bearing or "T" for Tapered Bearing.

All Rig Options should be added to the end of the part number. (i.e. 72DW-PB-R*-0415-SL for Swivel Lock)

See Wheel Section for other premium wheels.

V-GROOVE CASTER SPECIFICATIONS with DROP FORGED WHEELS

Dia. (mm)	Width (mm)	Cap. (R Brg)	Cap. (T Brg)	OAH (mm)	Hub Length	Swivel Lead	Bolt Hole Centers	Top Plate	Wt. (kg)	Part Number Roller Brg	Part Number Tapered Brg
6	3	6000	6500	8-1/2	3-1/4	2-1/2	4-1/2 x 6	S= 6-1/2 x 7-1/2 R= 6 x 7-1/2	45	94-VF-R-06501	94-VF-R-06509
6	3	6000	10000	9	3-1/4	2-1/4	7 x 7	8-1/2 x 8-1/2	59-1/2	95-VF-R-06501	95-VH-R-06509
8	4	8350	10000	10-1/2	4-1/4	2-1/2	4-1/2 x 6	S= 6-1/2 x 7-1/2 R= 6 x 7-1/2	47	94-VF-R-08701	94-VF-R-08709
8	4	8350	15000	11	4-1/4	2-1/4	7 x 7	8-1/2 x 8-1/2	61-1/2	95-VF-R-08701	95-VH-R-08709
10	3	6000	6000	12-1/2	3-1/4	2-1/2	4-1/2 x 6	S= 6-1/2 x 7-1/2	63	94-VH-R-10501	94-VH-R-10509
10	4	8350	10000	12-1/2	4-1/4	2-1/2	4-1/2 x 6	S= 6-1/2 x 7-1/2	73-3/4	94-VF-R-10701	94-VF-R-10709
10	3	6000	6000	13	3-1/4	2-1/2	7 x 7	8-1/2 x 8-1/2	67-3/4	95-VH-R-10501	95-VH-R-10509
10	4	8350	15000	13	4-1/4	2-1/4	7 x 7	8-1/2 x 8-1/2	89-1/2	95-VF-R-10701	95-VH-R-10709

*Add "B" for Ball Bearing, "P" for Precision Bearing, "PL" for Plain Bearing, "R" for Roller Bearing or "T" for Tapered Bearing.

All Rig Options should be added to the end of the part number. (i.e. 72DW-PB-R*-0415-SL for Swivel Lock)

See Wheel Section for other premium wheels.

ALL V-GROOVE CASTERS ARE NOW AVAILABLE IN KINGPINLESS CONSTRUCTION.